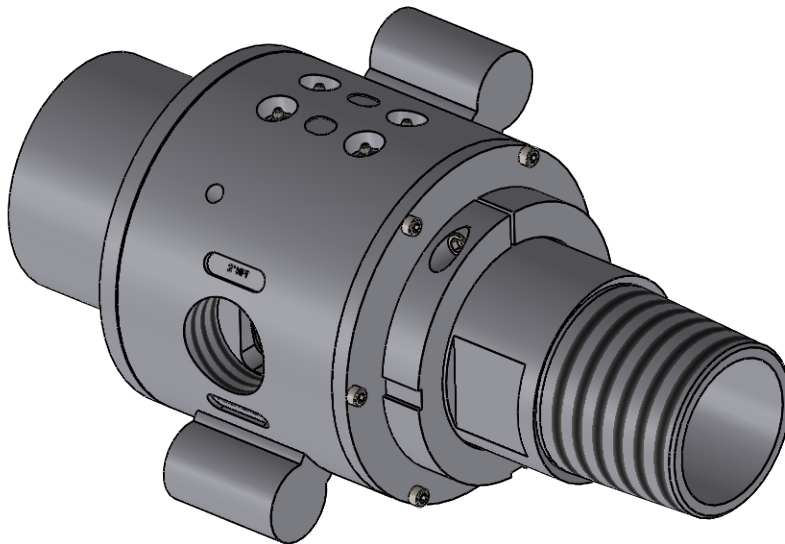


Swivel

Bottom Inlet



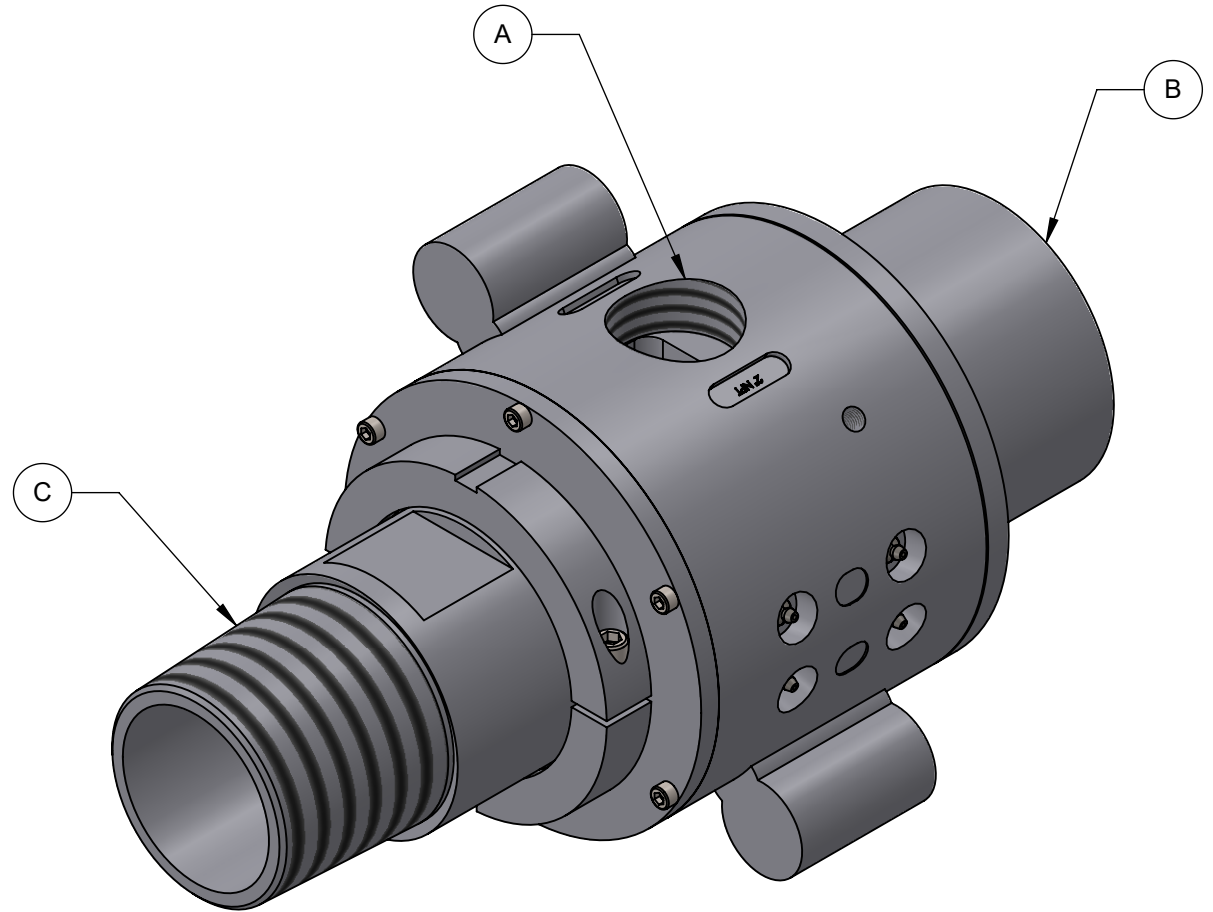
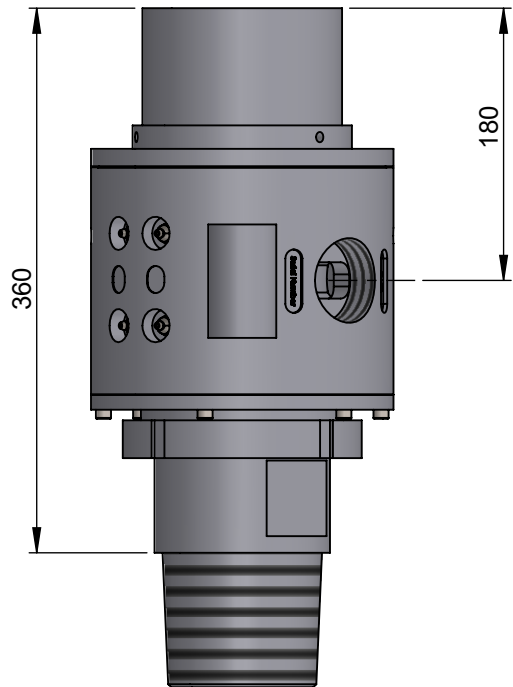
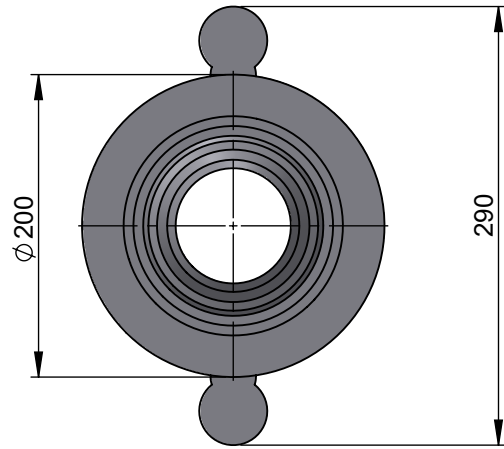
Contents

Overall Dimensions	02
--------------------------	----

Property of HARLSAN INDUSTRIES

This document together with the information therein is the property of Harlsan Industries (Harlsan) and is confidential and is an unpublished work, with all rights reserved to Harlsan's. This document is subject to return on demand. It may not be copied or reproduced in whole or in part without the written express consent of Harlsan's.

It may not be used directly or indirectly or in any way detrimental to Harlsan's interests.



#	Property	Value
A	Pneumatic Inlet	2" NPT or 2" BSP
B	Connection - Top Side	4 1/2" API Box
C	Connection - Drill Side	4 1/2" Remet Pin

TITLE: Harlsan Bottom Inlet Swivel	DRAWING NO.:	PAGE	Property of HARLSAN INDUSTRIES This document together with the information therein is the property of Harlsan Industries (Harlsan) and is confidential and is an unpublished work, with all rights reserved to Harlsan's. This document is subject to return on demand. It may not be copied or reproduced in whole or in part without the written express consent of Harlsan's. It may not be used directly or indirectly in any way detrimental to Harlsan's interests.
	01	02	
		OF	
		02	

