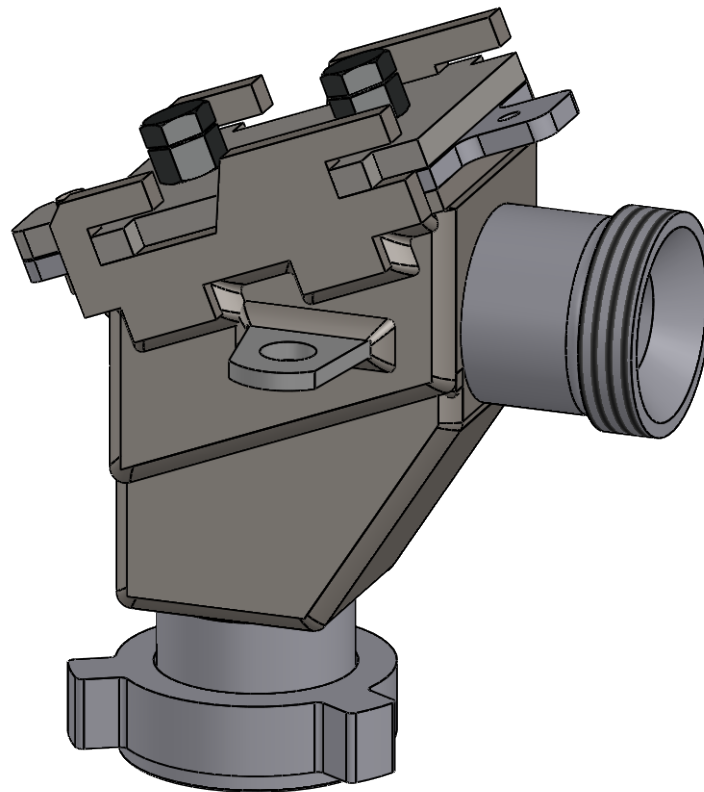


# Wear Bend

## **WEARLOK**

---



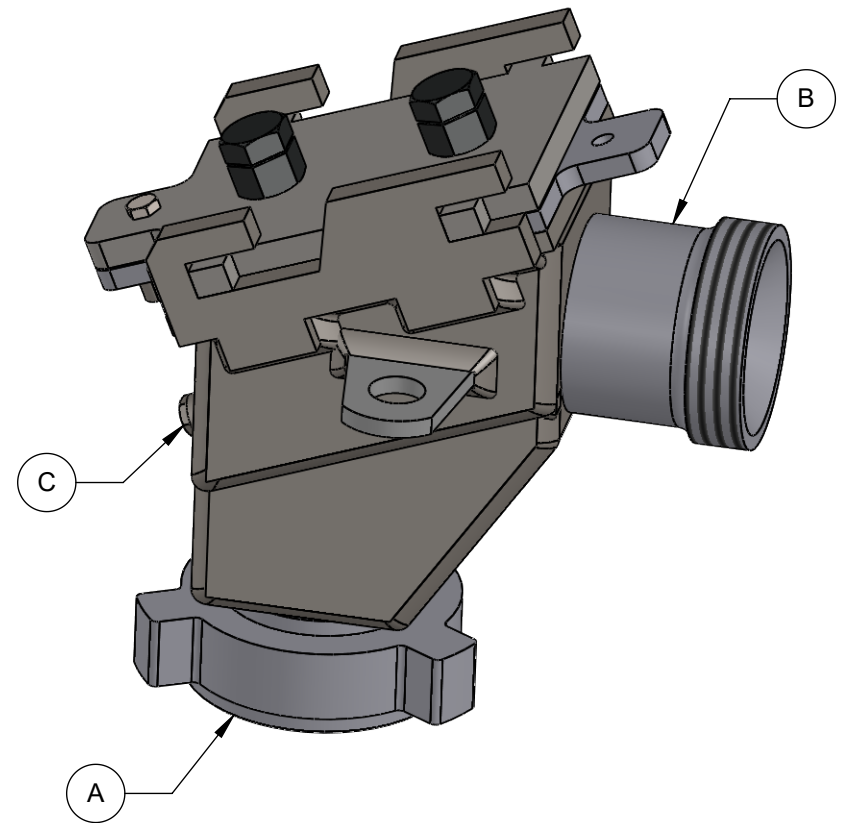
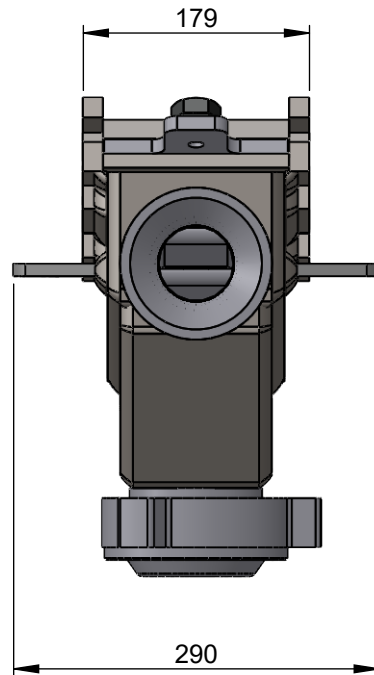
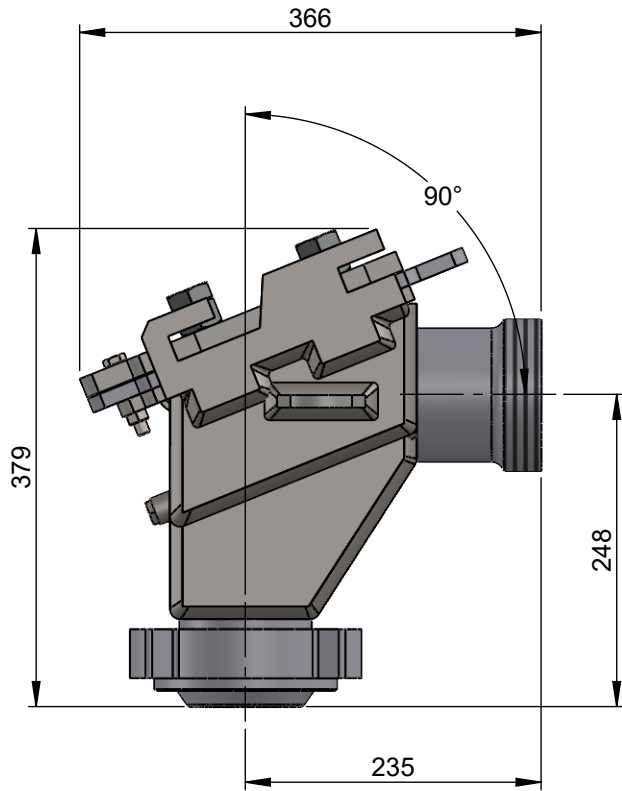
### Contents

Overall Dimensions .....	02
--------------------------	----

#### Property of HARLSAN INDUSTRIES

This document together with the information therein is the property of Harlsan Industries (Harlsan) and is confidential and is an unpublished work, with all rights reserved to Harlsan's. This document is subject to return on demand. It may not be copied or reproduced in whole or in part without the written express consent of Harlsan's.

It may not be used directly or indirectly or in any way detrimental to Harlsan's interests.



#	Property	Value
A	Inlet	4 1/2" ACME
B	Outlet	4 1/2" ACME
C	Water Injection Port	3/8" BSP

TITLE:  
Wearlok Wear Bend  
Variations Available

DRAWING NO.: PAGE  
**01** 02  
OF  
02

Property of HARLSAN INDUSTRIES  
This document together with the information therein is the property of Harlsan Industries (Harlsan) and is confidential and is an unpublished work, with all rights reserved to Harlsan's. This document is subject to return on demand. It may not be copied or reproduced in whole or in part without the written express consent of Harlsan's. It may not be used directly or indirectly or in any way detrimental to Harlsan's interests.

